

Lachenmeier Stretch Hood T1

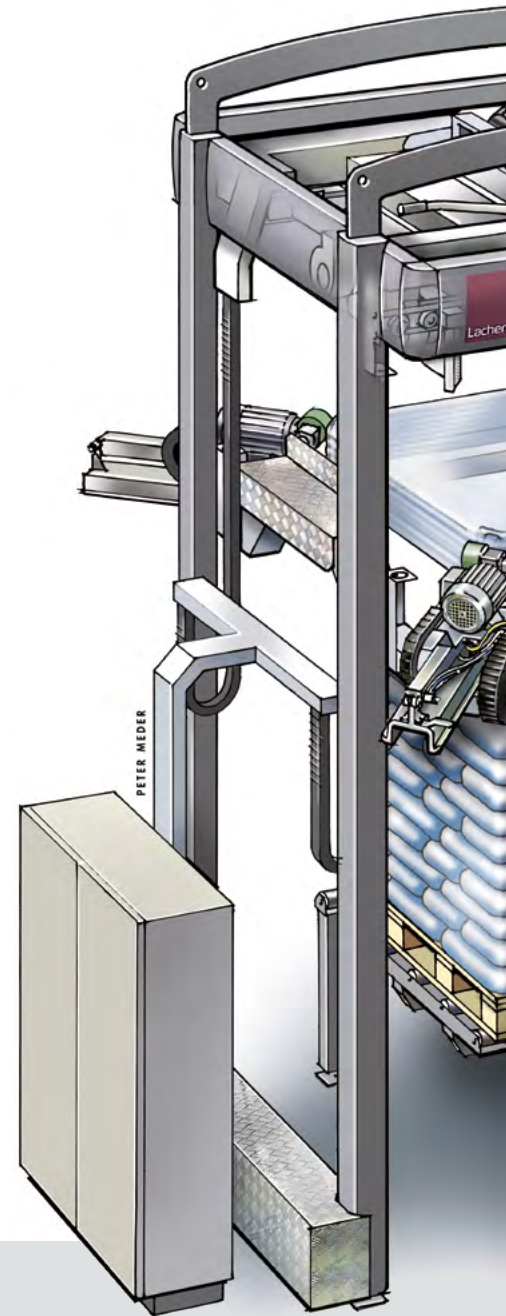
Small but powerful...



Lachenmeier Stretch Hood

Stretch hood technology offers significant benefits when compared to other types of pallet wrapping methods – from potential cost savings through reduced film and energy consumptions over material handling convenience to product display opportunities and improved marketability.

Stretch hood equals 5-sided protection with reduced risk of product damage due to soiling and weather influences as well as strains to which the products are exposed during transport and storage.



Lachenmeier Stretch Hood

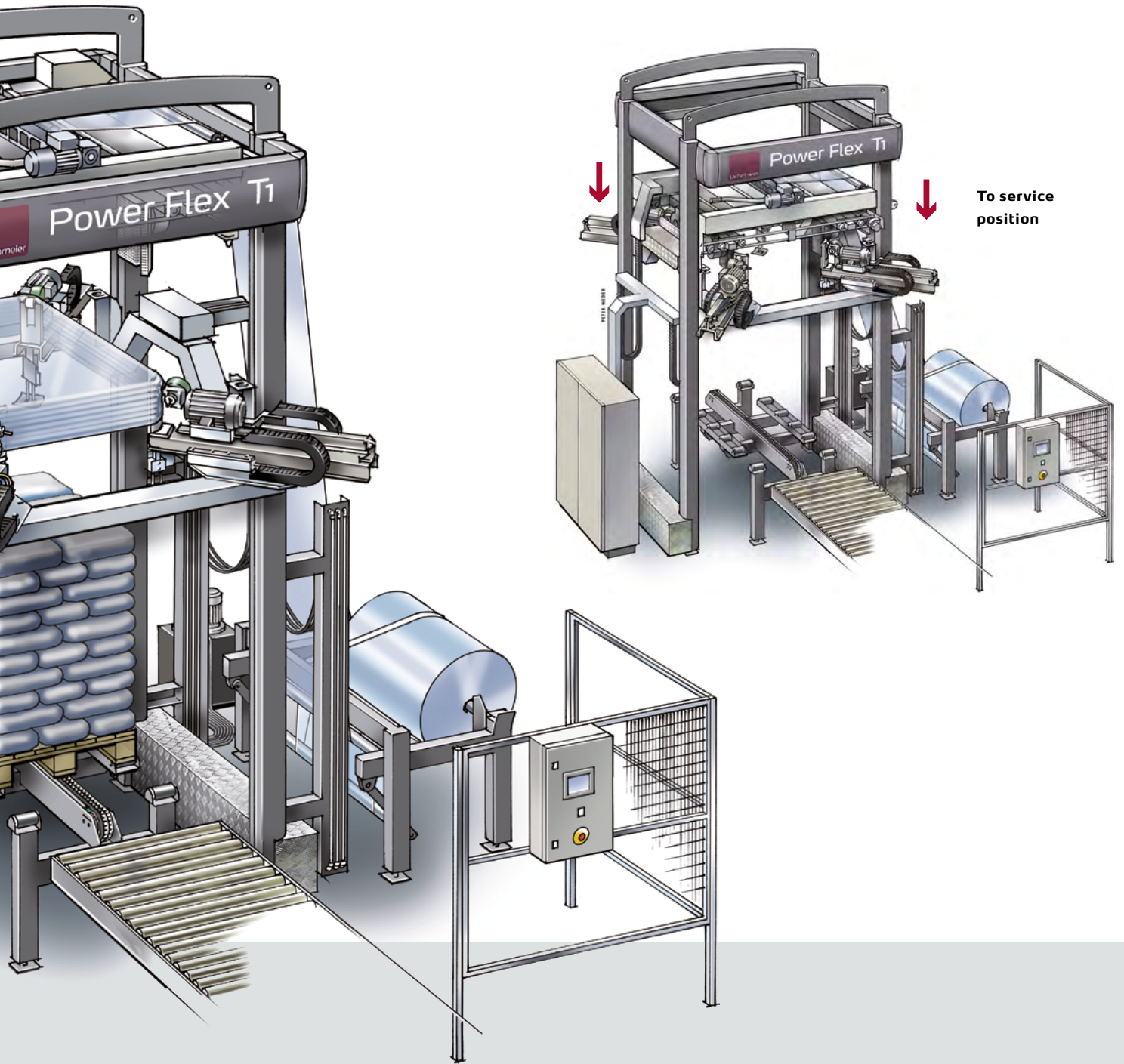
Lachenmeier is recognized worldwide for providing innovative packaging machine solutions to all types of consumer and industrial product companies.

Stretch hood is ideal for many applications from bags and boxes to PET bottles, appliances, paper and food products, and from straight palletized loads to unevenly loaded pallets.

Each product and packaging process serves its purpose, either to provide protection from the elements or to stabilize a load for transport ensuring that a product makes it undamaged all the way through the supply chain from the production facility to the store shelf.

By knowing the specific needs of our customers' products we can choose a packaging type and pattern that meet those needs most effi-

ciently. We take pride in delivering machines to the specific requirements and demands of each customer and market segment.



Power Flex T1

Saves time, space and energy

Like all Lachenmeier stretch hood machines the Power Flex T1 is characterized by the simple and maintenance-friendly film feed device, the unique vacuum/mechanical film opening system, the hydraulic stretch units, and the encoder-controlled film application providing a visually optimal application of film – resulting in improved branding of the wrapped product.

The Power Flex T1 boasts more simplicity and user-friendliness than previous models along with enhanced savings in both time, space and energy.

With the new T1 we are responding to industry demand for high performance, lower operating costs and a higher level of sustainability, all in a small design where no detail is too small.

It's Lachenmeier quality down to the very last detail...

Lachenmeier Stretch Hood

Proper Packaging

Lachenmeier has been on the packaging machine market since 1969 and after introducing stretch hood wrapping to the market, almost 20 years ago, Lachenmeier stretch hood machines remain an icon of packaging pleasure – a symbol of probably the best as regards performance, safety and reliability.

Our stretch hood machines are renowned for their unequalled harmony of dynamic performance, innovative technology, reduced energy and film consumption, along with a smooth and highly reliable operation.

Ground-breaking design and innovative engineering represent the core of what makes a Lachenmeier a Lachenmeier. Our engineers know that anything that doesn't provide more packaging power, better safety or enhance load stability simply doesn't belong in a Lachenmeier stretch hood machine.

www.lachenmeier.com



Power Flex T1

From its innovative industrial design to its elegant overall look to everything in between, the Power Flex T1 delivers a packaging experience to savour. Making change easier for you.



Easy Servicing

With the Power Flex T1 you will have easy access to all over servicing, which is reduced to a few quick tasks. Special for the T1 is the unique feature of lowering the top of the machine down to floor level for even easier, faster and safer service and maintenance. Film replacement and change of sealing wire and film knife all take place at floor level. No need to climb a ladder with a toolbox on your back to the top of the machine – the top will come down to you!

It's as easy as it gets...



Energy Saving

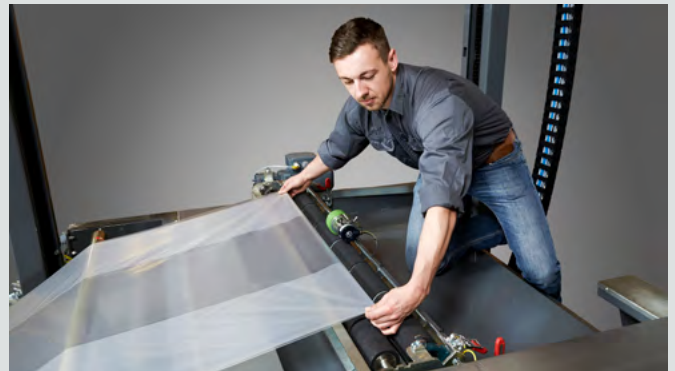
Sustainability and environment are at the forefront of the global debate today and we as packaging professionals have faced the challenge of taking practical steps to deliver more environmentally friendly packaging solutions. We use resources in a more sustainable way, maintaining low operating costs, and meeting our customers' objectives without sacrificing product performance.

The Power Flex T1 is responding to this trend for greater energy saving performance as the machine employs motors and inverters that take lower power consumption and protection of the global environment into account.



Space Saving

Space is often at a premium in today's production, and the small footprint of the T1 saves space in the packing area. The Power Flex T1 is a small machine that is as elegant as it is functional. We are talking about a machine, small in size but huge in effect. Specifically designed for operating efficiency and reliability with energy-saving features.



Film Saving

The Lachenmeier patented top stretch film unwinding feature saves up to 10% film and ensures low film consumption – patent EP 1 184 281. The top stretch film unwinding system eliminates thin and fragile film on the corners of the load, making the film on the corners approx. 30% thicker than normally and avoiding the formation of pouches on the corners. With this system it is also possible to downgauge film thickness and to reduce packaging costs. Further benefits are the significantly reduced risk of tearing the film during application as well as a secure wrapping of products with sharp edges.



Main office

Lachenmeier – Fynsgade 6-10 – 6400 Sønderborg – Denmark
Tel. +45 7342 2200 – Fax +45 7342 2210 – info@lachenmeier.com

Subsidiaries worldwide

Germany	Lachenmeier	Tel. +49 (0700) 7342 2200	info-de@lachenmeier.com
UK	Lachenmeier	Tel. +44 (0161) 205 3666	info-uk@lachenmeier.com
USA	Lachenmeier	Tel. +1 (877) 859 7205	info-us@lachenmeier.com

www.lachenmeier.com